



Combat Medical
5555 Harrisburg Industrial Park Drive
Harrisburg, NC 28075 USA
1-855-428-6074
www.combatmedicalsystems.com

Combat Ready Clamp (CRoC™)

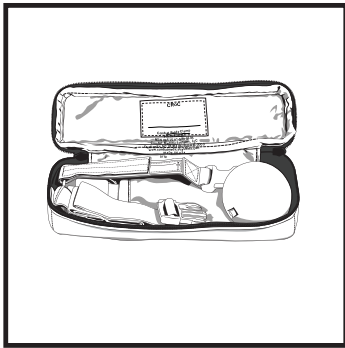
CMS PART 31-200 | NSN 6515-01-589-9135

Combat Ready Configuration - Repackaging Instructions

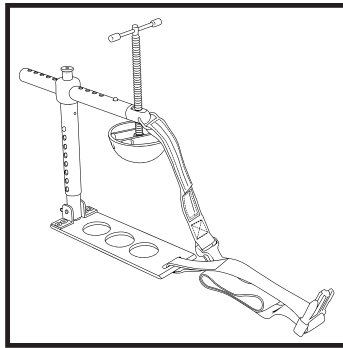
The CRoC is indicated for use in the battlefield to control difficult bleeds in the inguinal and axilla areas. The CRoC is also indicated for use in the battlefield as a last resort for life threatening bleeds of the carotid artery. The CRoC should be applied by a trained medical provider.

If you already own a CRoC and it is packaged in the low cube storage configuration (as shown below), it is recommended that you store it in the combat ready configuration. This will allow you to minimize the time needed to deploy the device.

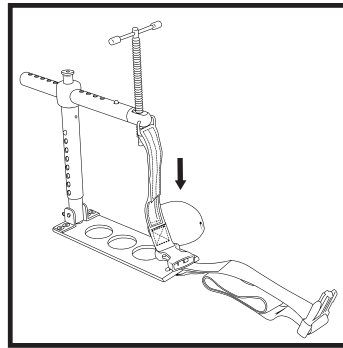
Assembly



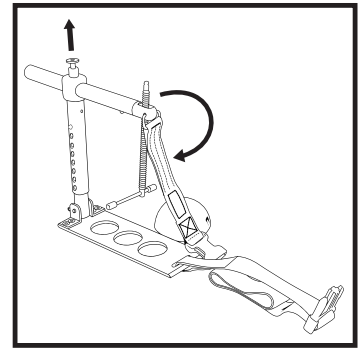
Remove CRoC from nylon pouch.



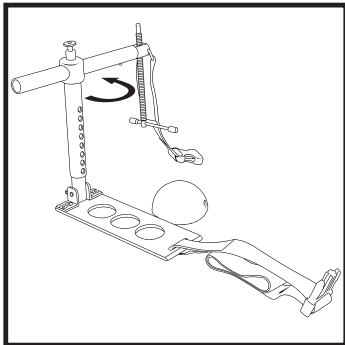
Assemble the CRoC according to the Instructions for Use (IFU).



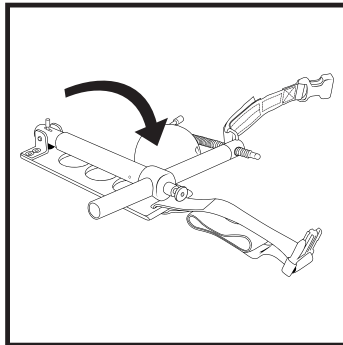
To store the CRoC in the combat ready configuration, remove the pressure disc.



Pull up on the vertical arm locking pin and rotate the horizontal arm 180 degrees.

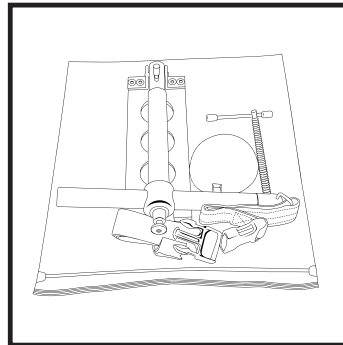


Depress the vertical arm locking pin and rotate the horizontal arm 90 degrees.



Lift the baseplate locking lever and rotate the vertical arm down onto the baseplate.

Place the pressure disc into the space between the threaded arm and the vertical arm.



Slide all parts into a 12" x 12", 6 mil resealable bag to store in the combat ready configuration.